

# Data Sheet

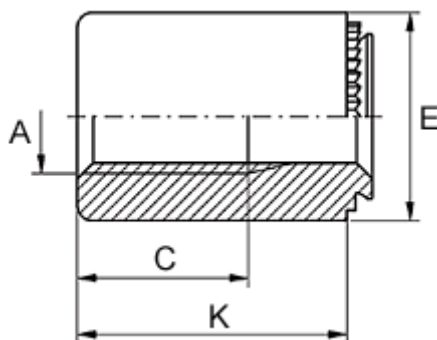


Article number: 12511800025100

Description: KLEE-coil 511 800 025.100  
M2,5 Hardened, zinc-pl. & chr. yellow

## Measures

---



Female thread A	= M2,5
Height K	= 11
Min distance to edge	= 4.0
Outer diameter E	= 7
Plate thickness	= 0.8 to 1.0
Recommended bore diameter +0.05	= 5.00
Thread length	= 8.0